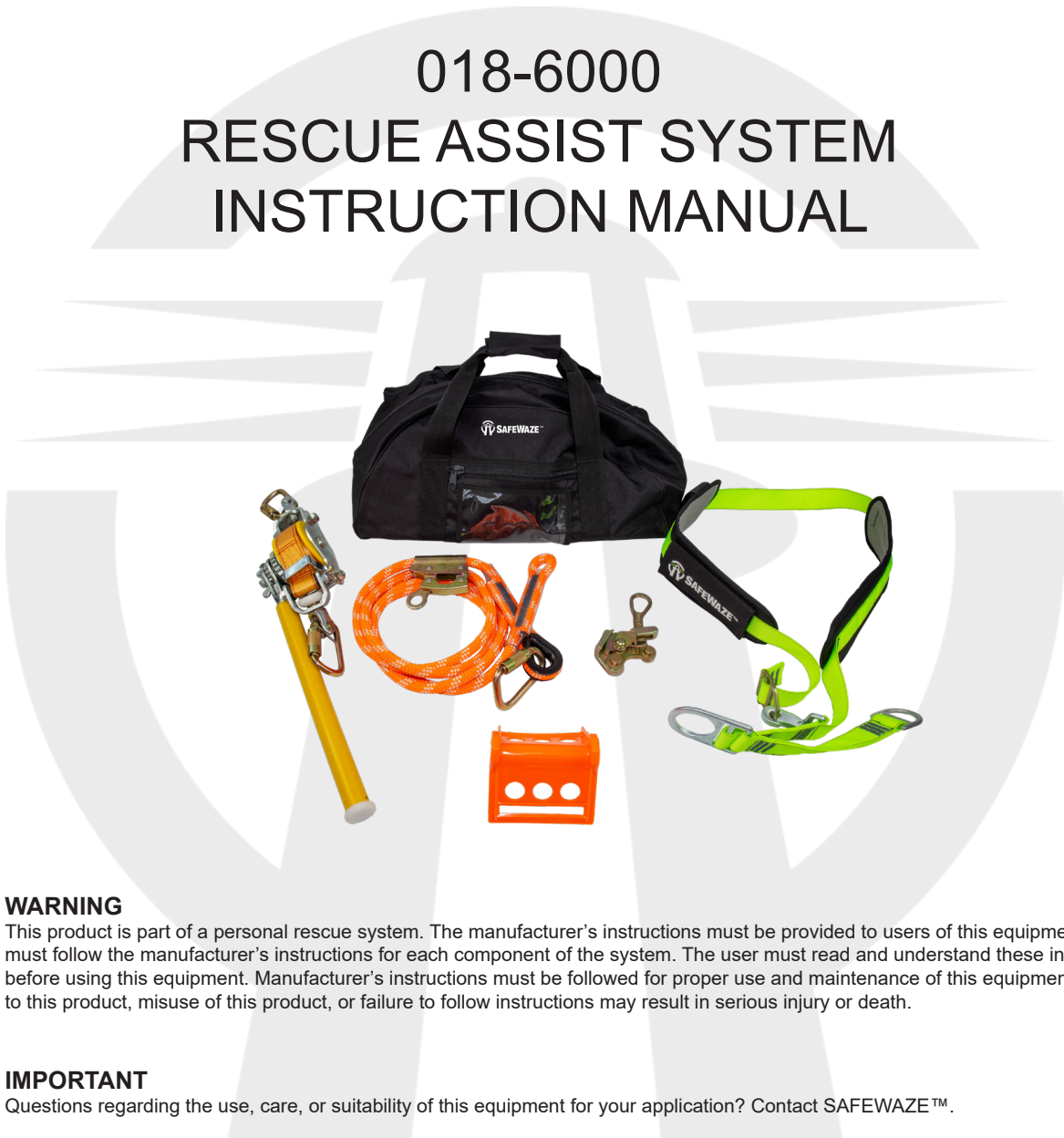




# 018-6000 RESCUE ASSIST SYSTEM INSTRUCTION MANUAL



## WARNING

This product is part of a personal rescue system. The manufacturer's instructions must be provided to users of this equipment. The user must follow the manufacturer's instructions for each component of the system. The user must read and understand these instructions before using this equipment. Manufacturer's instructions must be followed for proper use and maintenance of this equipment. Alterations to this product, misuse of this product, or failure to follow instructions may result in serious injury or death.

## IMPORTANT

Questions regarding the use, care, or suitability of this equipment for your application? Contact SAFEWAZE™.

## IMPORTANT

Record initial usage of product on Page 2, and Page 13. Competent Person inspections are required to be documented in the Inspection Log Table on Page 13.

## TABLE OF CONTENTS

1	INTRODUCTION .....	3
2	APPLICABLE SAFETY STANDARDS .....	3
3	WORKER CLASSIFICATIONS .....	3
4	PRODUCT SPECIFIC APPLICATIONS .....	3
5	COMPATIBILITY OF CONNECTORS .....	4
5	COMPONENTS AND SPECIFICATIONS .....	6
6	INSTALLATION AND USE .....	7-11
7	INSPECTION .....	12
8	INSPECTION LOG .....	13
9	SAFETY INFORMATION .....	14
10	LABELS .....	15

### User Information

Date of First Use: \_\_\_\_\_

Serial#: \_\_\_\_\_

Trainer: \_\_\_\_\_

User: \_\_\_\_\_

**Do not throw away these instructions!**

**Read and understand these instructions before using equipment!**

## INTRODUCTION

Thank you for purchasing the SAFEWAZE™ Rescue Assist System. This manual must be read and understood in its entirety, and used as part of an employee training program as required by OSHA or any applicable state agency.

This manual and any other instructional material must be available to the user of the equipment. The user must understand how to safely and effectively use the 018-6000 system, and all fall protection equipment used in conjunction with the 018-6000 system.

## APPLICABLE SAFETY STANDARDS

Applicable standards and regulations depend on the type of work being done, and also might include state-specific regulations. Refer to local, state, and federal (OSHA) requirements for additional information concerning the governing of occupational safety regarding Personal Fall Arrest Systems (PFAS).

## Worker Classifications



Understand the definitions of those who work in proximity of or may be exposed to fall hazards.

**Qualified Person:** A person with an accredited degree or certification, and with extensive experience or sufficient professional standing, who is considered proficient in planning and reviewing the conformity of fall protection and rescue systems.

**Competent Person:** A highly trained and experienced person who is **assigned by the employer** to be responsible for all elements of a fall safety program, including, but not limited to, its regulation, management, and application. A person who is proficient in identifying existing and predictable hazards, and who has the authority to stop work in order to eliminate hazards.

**Authorized Person:** A person who is assigned by their employer to work around or be subject to potential or existing fall hazards.

**It is the responsibility of a Qualified or Competent person to supervise the job site and ensure safety regulations are complied with.**

## Product Specific Applications

**Rescue / Confined Space:** The 018-6000 Rescue Assist System is designed for use in Rescue applications. Rescue systems function to safely remove a worker after exposed to a fall. There are various configurations of rescue systems depending on the type of rescue required. Structure must withstand loads applied in the directions permitted by the system of at least 3,000 lbs. No free fall is permitted. Applicable D-rings are dorsal, and chest.

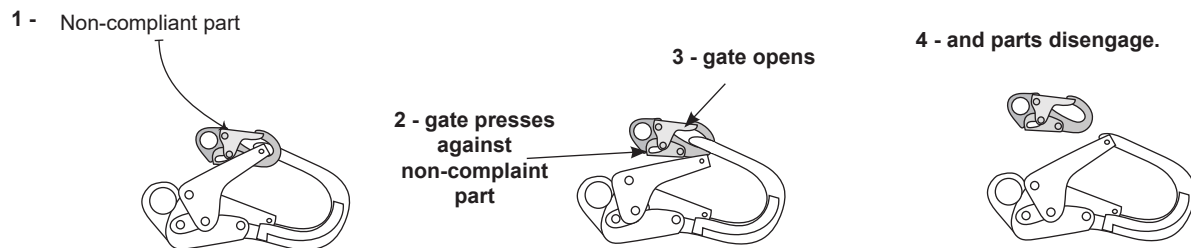
## COMPATIBILITY OF CONNECTORS

Connectors are compatible with connecting elements when they have been designed to work together in such a way that their sizes and shapes do not cause their gate mechanisms to inadvertently open regardless of how they become oriented. Connectors (hooks, carabiners, and D-rings) must be capable of supporting at least 5,000 lbs. (22.2 kN). Connectors must be compatible with the anchorage or other system components. Do not use equipment that is not compatible. Non-compatible connectors may unintentionally disengage (see Figure 1). Connectors must be compatible in size, shape, and strength. Self-locking snap hooks and carabiners are required by ANSI Z359 and OSHA guidelines. Contact SAFEWAZE™ if you have any questions about compatibility.



**NOTE: SOME SPECIALITY CONNECTORS HAVE ADDITIONAL REQUIREMENTS. CONTACT SAFEWAZE™ WITH QUESTIONS.**

**FIGURE 1 - UNINTENTIONAL DISENGAGEMENT**



Using a connector that is undersized or irregular in shape (1) to connect a snap hook or carabiner could allow the connector to force open the gate of the snap hook or carabiner. When force is applied, the gate of the hook or carabiner presses against the non-compliant part (2) and forces open the gate (3). This allows the snap hook or carabiner to disengage (4) from the connection point.

## MAKING CONNECTIONS

Snap hooks and carabiners used with this equipment must be double locking and/or twist lock. Ensure all connections are compatible in size, shape and strength. Do not use equipment that is not compatible. Ensure all connectors are fully closed and locked.

SAFEWAZE™ connectors (snap hooks and carabiners) are designed to be used only as specified in each product's user's instructions. See figure 4 for examples of inappropriate connections. Do not connect snap hooks and carabiners:

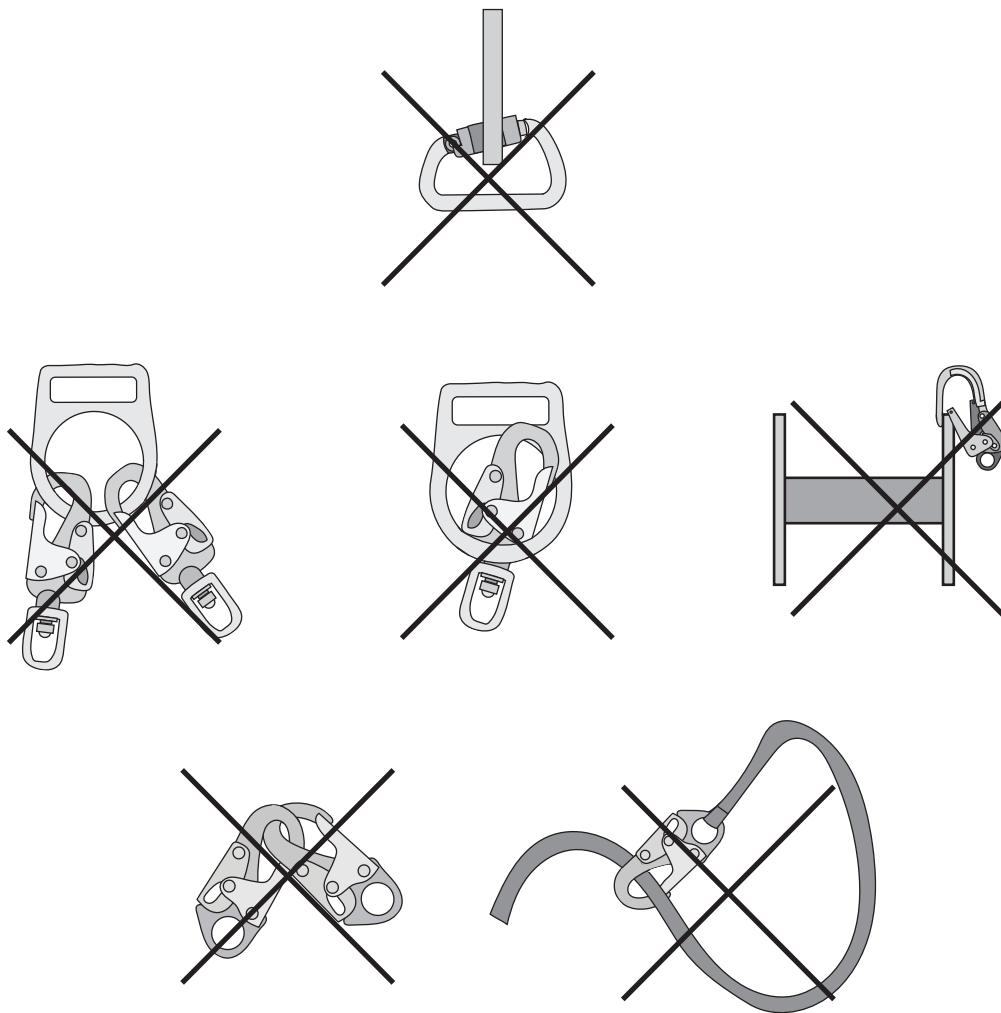
- To a D-ring to which another connector is attached.
- In a manner that would result in a load on the gate (with the exception of tie back hooks).
- **NOTE:** Large snap hooks must not be connected to objects which will result in a load on the gate if the hook twists or rotates, unless the snap hook complies with ANSI Z359.12 and is equipped with a 3,600 lb (16 kN) gate. Check the marking on your snap hook to verify its compatibility.



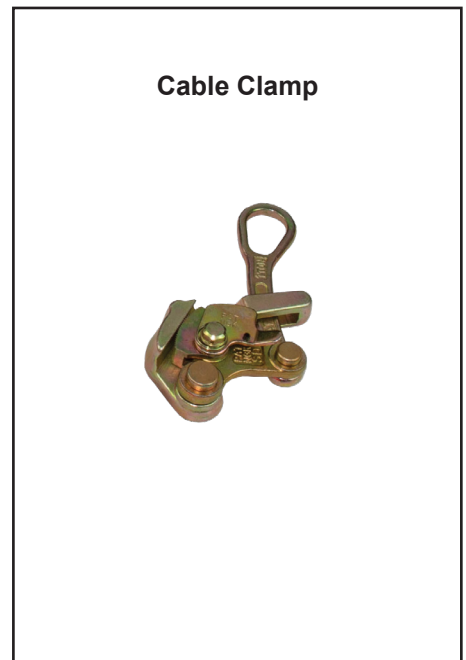
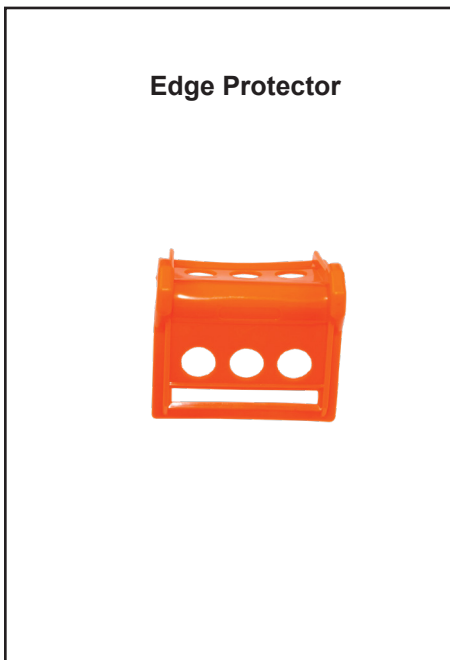
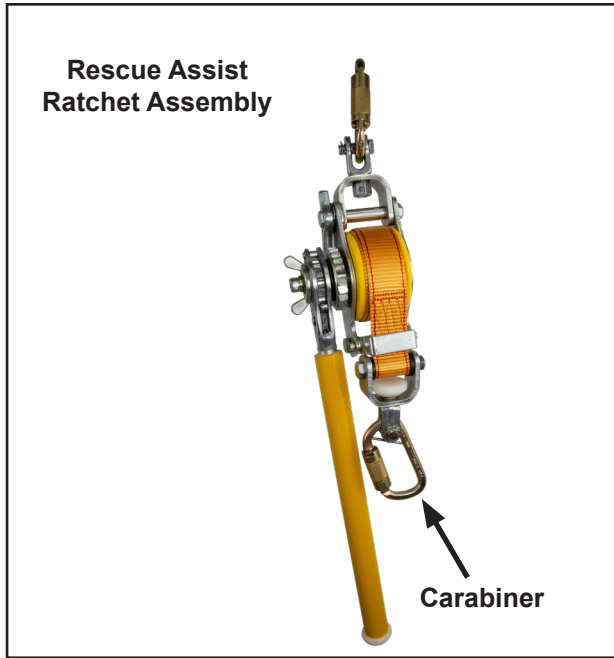
**NOTE:** Large throat snap hooks must not be connected to standard size D-rings or similar objects which will result in a load on the gate if the hook or D-ring twists or rotates, unless the snap hook complies with ANSI Z359.1-2007 or ANSI Z359.12 and is equipped with a 3,600 lb (16 kN) gate. Check the marking on your snap hook to verify that it is appropriate for your application.

- In a false engagement, where features that protrude from the snap hook or carabiner catch on the anchor, and without visual confirmation seems to be fully engaged to the anchor point.
- To each other.
- By wrapping the web lifeline around an anchor and securing to lifeline except as allowed for Tie Back models (see section 4.5).
- To any object which is shaped or sized in a way that the snap hook or carabiner will not close and lock, or that roll-out could occur.
- In a manner that does not allow the connector to align properly while under load.

**FIGURE 2 - INAPPROPRIATE CONNECTIONS**



# Components and Specifications



## Installation and Use

In the event of a fall that results in a situation where the fallen worker cannot be easily reached through conventional means, the 018-6000 Rescue Assist Kit can be used as a simple and fast rescue solution. The 018-6000 Rescue Assist Kit can be deployed by 1-3 persons in order to facilitate the necessary rescue operations demonstrated in this manual. The system is engineered to raise the fallen individual to the closest possible rescue point which allows for the proper and safe completion of the rescue process. Never attempt to lower a fallen worker using this system. Use of this system for material handling in any fashion renders this system incompatible for future rescue operations. This kit is unsealed and can be used for training and/or fall event preparations, provided no damage occurs to the components and they are properly stowed. The following instructions will demonstrate the procedures utilized to deploy and operate the system properly and how to recover/stow the system after the fall event has been resolved. Failure to follow any of the manufacturer's warnings or instructions could lead to serious injury or death.

**Step 1.** After recognizing that a fall has occurred, the user will retrieve their 018-6000 Rescue Assist Kit from a preassigned location. The user should immediately attempt to communicate with the fallen individual to determine if the victim is conscious (See Fig. 3). The consciousness of the fallen worker will determine the method of system deployment and utilization. If the victim is conscious, continue to Step 2. If the victim is unconscious skip to Step 8.

**Step 2.** In the event the worker is conscious, the Rescue Sling will be utilized to assist in the rescue.

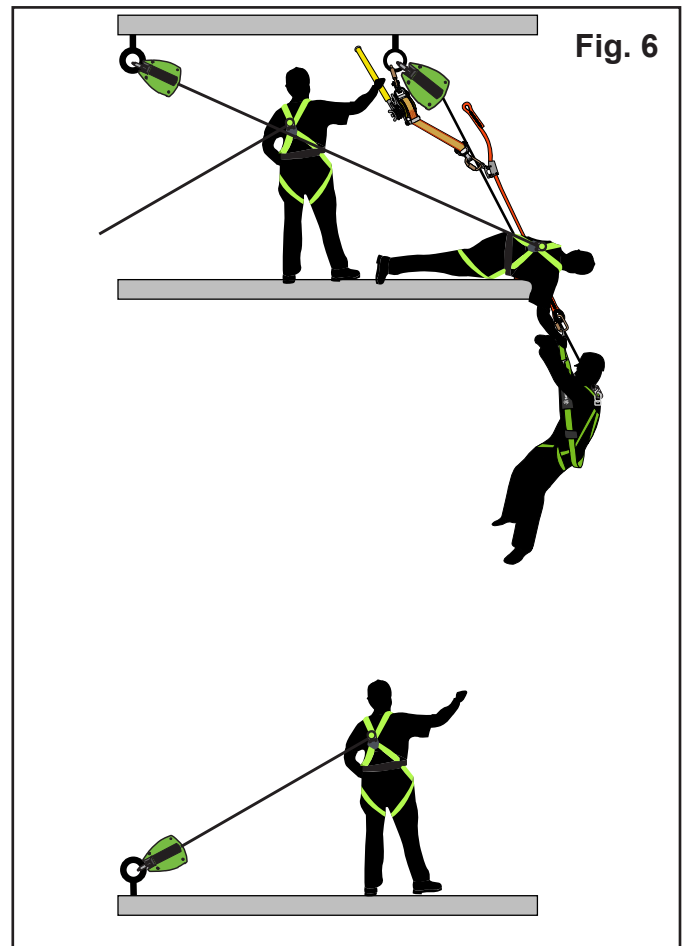
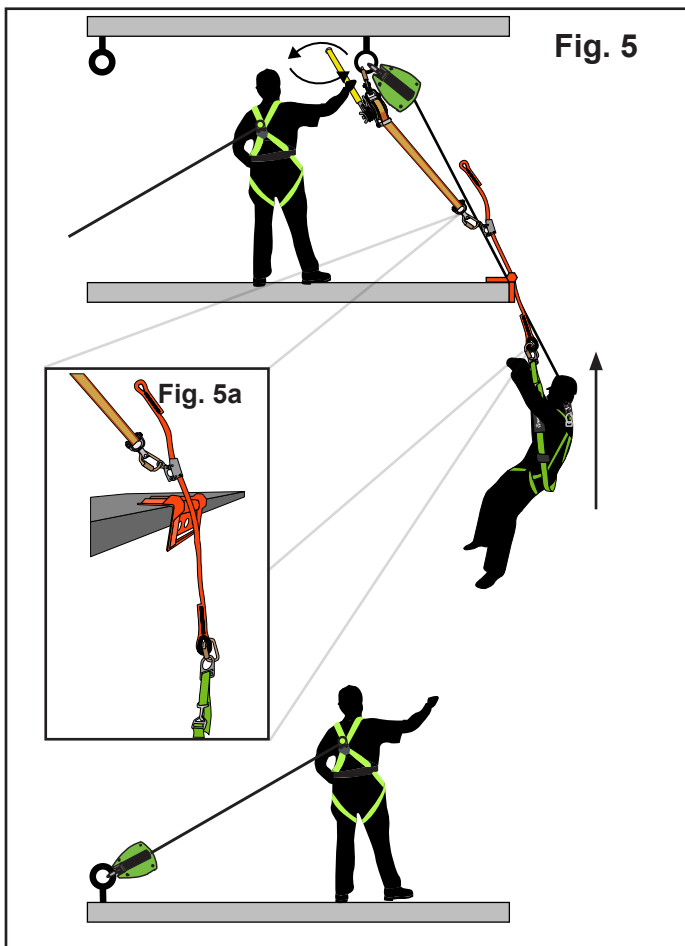
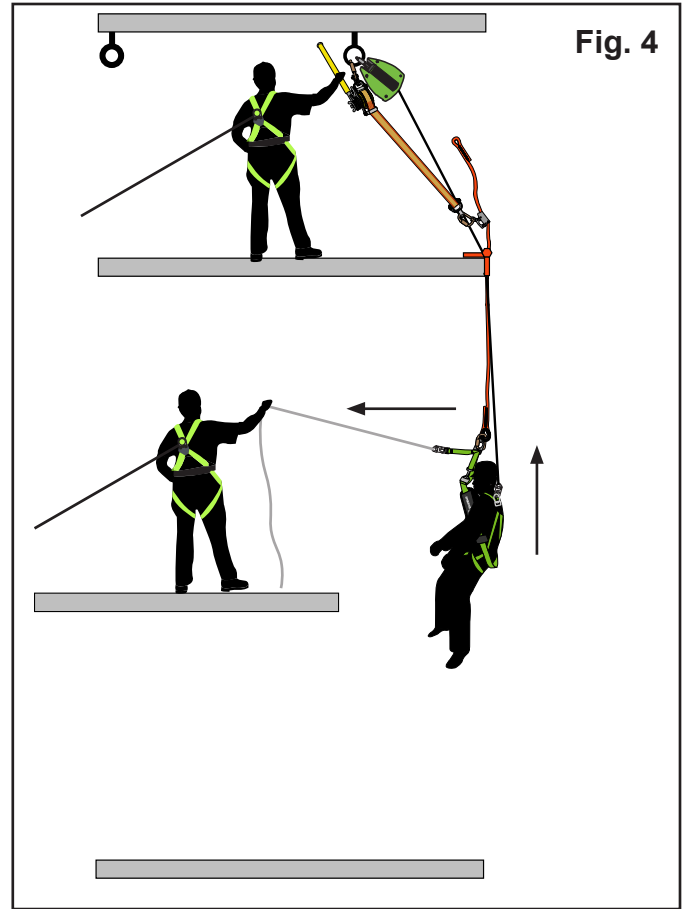
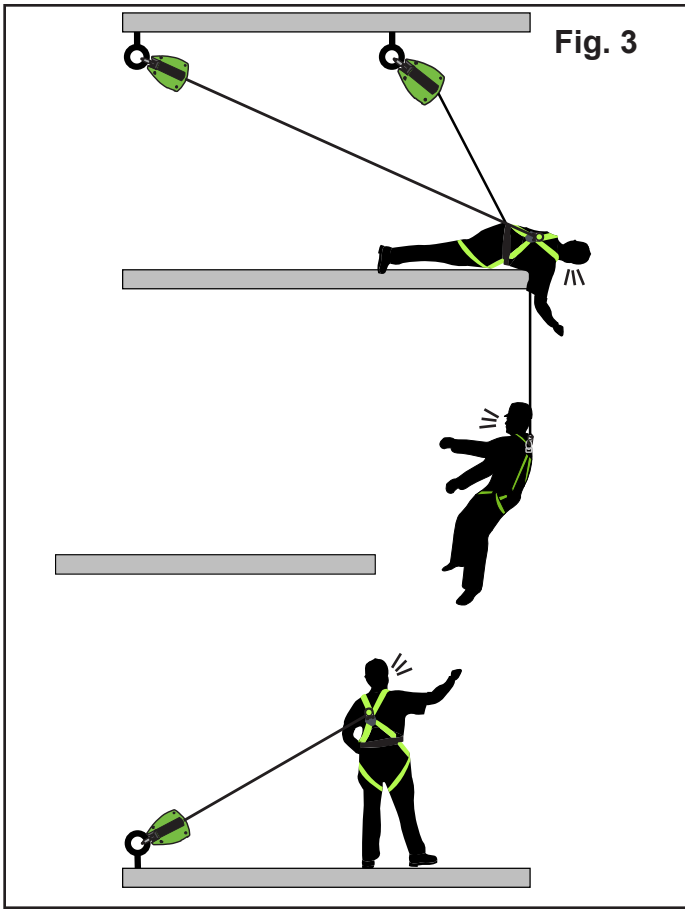
**Step 3.** After establishing verbal contact with the fallen worker, the user will remove the necessary equipment from the 018-6000 Carry Bag. Necessary equipment for this scenario is the Rescue Assist Ratchet Assembly, Rescue Sling, Edge Protector, and Kernmantle Rope with attached Rope Grab.

**Step 4.** Attach the Recovery Assist Ratchet Assembly to a suitable anchorage point preferably rated for Fall Protection (See Fig. 4). If absolutely necessary, the system can be attached to the fallen worker's anchor point if adequate space exists. After attachment of the Ratchet Assembly, the user can quickly deploy out the necessary webbing by placing the Ratchet Assembly into Neutral mode (See Fig. 9). After deploying length of web necessary from the Ratchet Assembly in Neutral mode, the user will place the Ratchet Assembly into the Lifting mode (See Fig. 9).

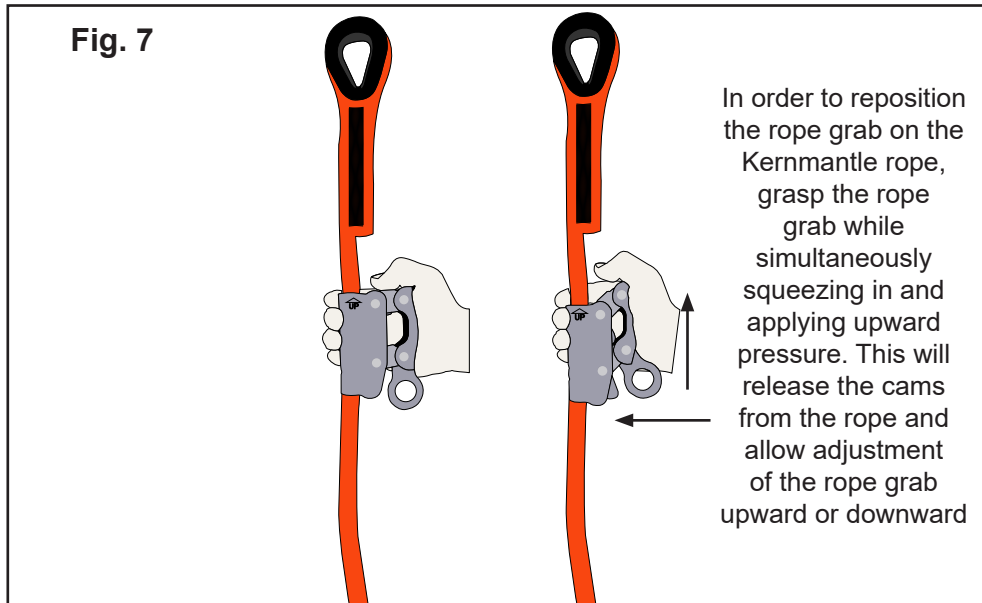
**Step 5.** Connect the Rope Grab to the Rescue Assist Ratchet Assembly. Ensure that the Rope Grab is positioned above the edge to prevent contact with the edge (See Fig. 5a). The rope grab can be adjusted on the rope by the user to lengthen or shorten the required rope to get the Rescue Sling safely to the fallen worker (See Fig. 7).

**Step 6.** Carefully lower the attached Rescue Sling to the victim. The Rescue sling should be lowered to the fallen worker in the open position with the pads as close together as possible. The fallen worker will receive the Rescue Sling and taking the small D-ring end, will pass the sling under both arms, wrapping around the upper torso. Once the Rescue Sling is under both arms, the fallen worker will attach the sling back to itself utilizing the small D-ring and integral spring loaded rescue clip assembly on the sling. The worker should position the pads on the Rescue Sling under each armpit. The fallen worker can then tighten the sling around his/her torso by pulling down on the sizing adjustment strap. If the Kernmantle Rope is going to come in contact with an edge, user should ensure that the edge protector is used (See Fig. 5a). DO NOT position the rope grab on the rope in a configuration that would allow the rope grab to come into contact with, or slide over/across, the edge.

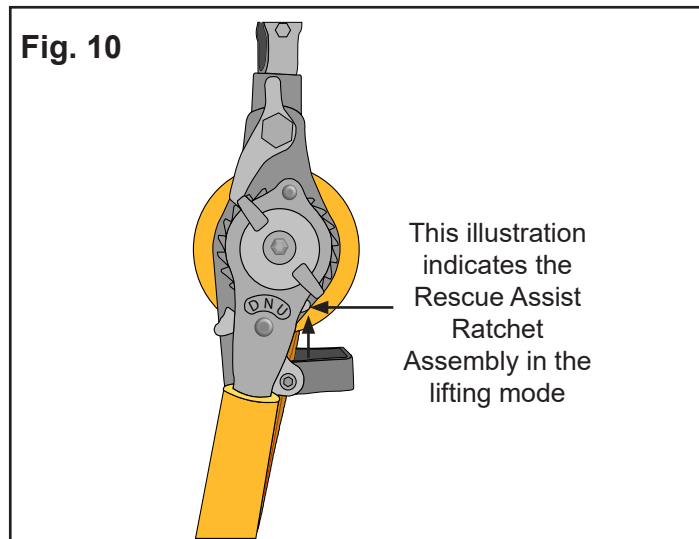
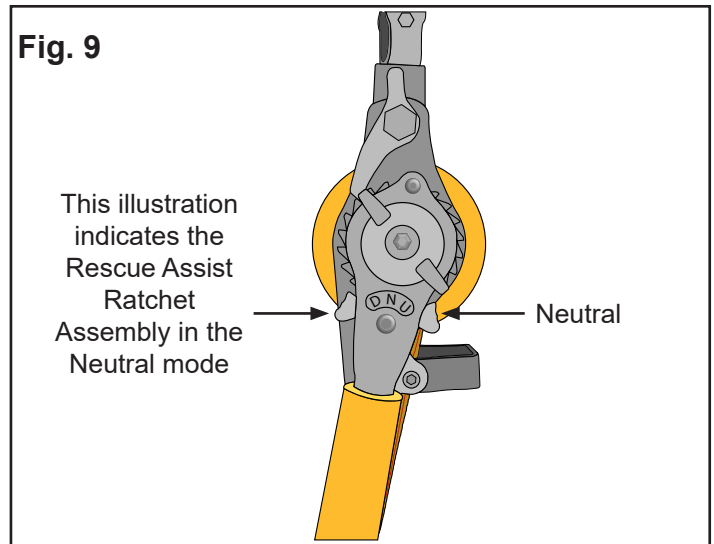
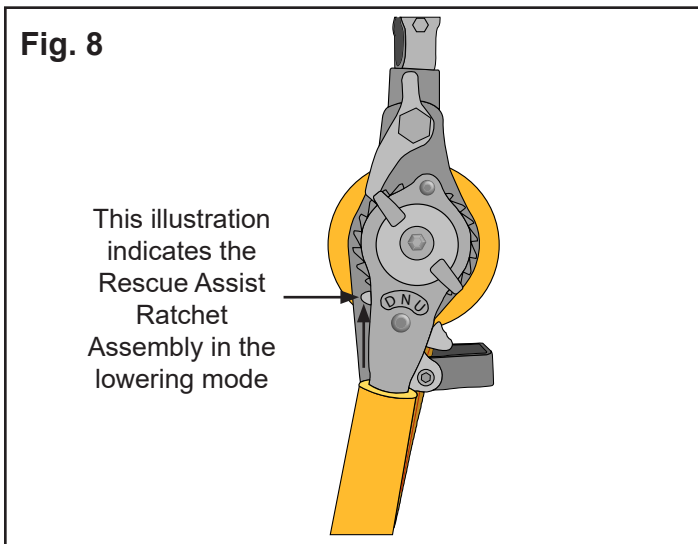
**Step 7.** Prior to the fallen worker donning the rescue sling, the user will engage the Rescue Assist Ratchet Assembly into the lifting mode. The victim can then be raised to an adequate elevation for other rescuers to secure the victim (See Fig. 5 and Fig. 6). To engage the Ratchet Assembly, the user simply needs to begin cranking the worker up by using the attached handle of the Ratchet Assembly in a up/down or back/forth motion (depends on handle orientation). In specific situations, it may be more expedient for another rescuer closer in elevation to the fallen worker to facilitate the rescue. In this event, the Rescue Sling also comes equipped with a lateral guide strap. The rescuer can deliver another rope assembly to the fallen worker which the worker can attach to the lateral guide strap. The rescuer can then guide the worker laterally to a closer rescue location (See Fig. 4)







**WARNING: Never connect this system to a fallen worker when the Rescue Assist Ratchet Assembly is in the Lowering or Neutral mode!**



**Step 8.** In the event that the fallen individual is unconscious, the Rescue Sling will not be used and can be left in the Carry Bag or laid to the side. Unless necessary to add additional length to the system, the Kernmantle Rope Assembly is also not used in this scenario. If additional length is required, the Kernmantle Rope Assembly can be utilized. The user would attach the Kernmantle Rope Assembly to the Ratchet Assembly in the same manner as described in Step 5. The Thimble Eye end of the Rope Assembly can then be attached to the Cable Clamp via supplied carabiner. NEVER attach the Cable Clamp in a manner that would allow contact with, or a slide over/across, the edge.

*\*\*\*\*It must be noted in this scenario, with an unconscious victim, this method involves attaching a wire grab onto the victim's SRL cable. DO NOT attempt this method of Rescue Assist if the victim's SRL is a web unit. Another type of Rescue/Rescue Assist must be utilized. DO NOT disconnect the victims SRL from it's anchor point or the victim!*

**Step 9.** After establishing that the fallen worker is unconscious, the user will attach the Rescue Assist Ratchet Assembly to a suitable anchorage point preferably rated for Fall Protection (See Fig. 12). If absolutely necessary, the system can be attached to the victims anchor point if adequate space exists for such attachment. After attachment of the Ratchet Assembly, the user can quickly deploy out the necessary webbing by placing the Ratchet Assembly into Neutral mode (See Fig. 10). After deploying length of web necessary from the Ratchet Assembly in Neutral mode, the user will place the Ratchet Assembly into the Lifting mode (See Fig. 10).

**Step 10.** The user will then take the Cable Clamp and attach it to the fallen workers SRL cable. The wire grab is opened by pulling/squeezing the unit together which allows the gate for the cable to open. Once the SRL cable is seated in the Cable Clamp, slowly release the Cable Clamp allowing it to close on the cable. After the unit closed on the cable, rotate the external gate closed to enclose the cable in the Cable Clamp (See Fig. 12a and Fig. 12b). DO NOT attach the cable clamp onto the cable in a configuration that would allow the cable clamp to come into contact with, or slide over/across, the edge.

**Step 11.** Once the Cable Clamp is securely in place on the fallen workers SRL cable, the user will then attach the web end of the Rescue Assist Ratchet Assembly to the Cable Clamp via the captive eye carabiner attached to the end of the web component of the Ratchet Assembly (See Fig. 15).

**Step 12.** After attaching the Ratchet Assembly to the Cable Clamp, the user will then engage the Rescue Assist Ratchet Assembly to raise the worker to an adequate elevation for other rescuers to secure the person (See Fig. 13 and Fig. 14). To engage the Ratchet Assembly the user simply needs to begin cranking the victim up by using the attached handle of the Ratchet Assembly in a up/down or back/forth motion (depends on handle orientation). If possible, the user should try to place the Edge Protector between the victim's SRL cable and the edge (See Fig. 16 and Fig. 17).

**Step 13.** Once Rescue Assist/Rescue operations are complete, and the fallen worker has received appropriate medical attention, the 018-6000 Rescue Assist System can be removed from operation and re-stowed into the Rescue Assist System Carry Bag. The unit should be inspected for any damage or defects prior to storage, and stored in a location that would prevent accidental damage to the system. Being that a Rescue Assist/Rescue situation can arise in an extremely quick manner, a very quick visual inspection may be all the user has time for prior to use.

**Note:** The 018-6000 Rescue Assist Kit can be used up to 3 times before replacement would be required. All uses of the system are dependent upon the system passing inspection prior to, and after each use.

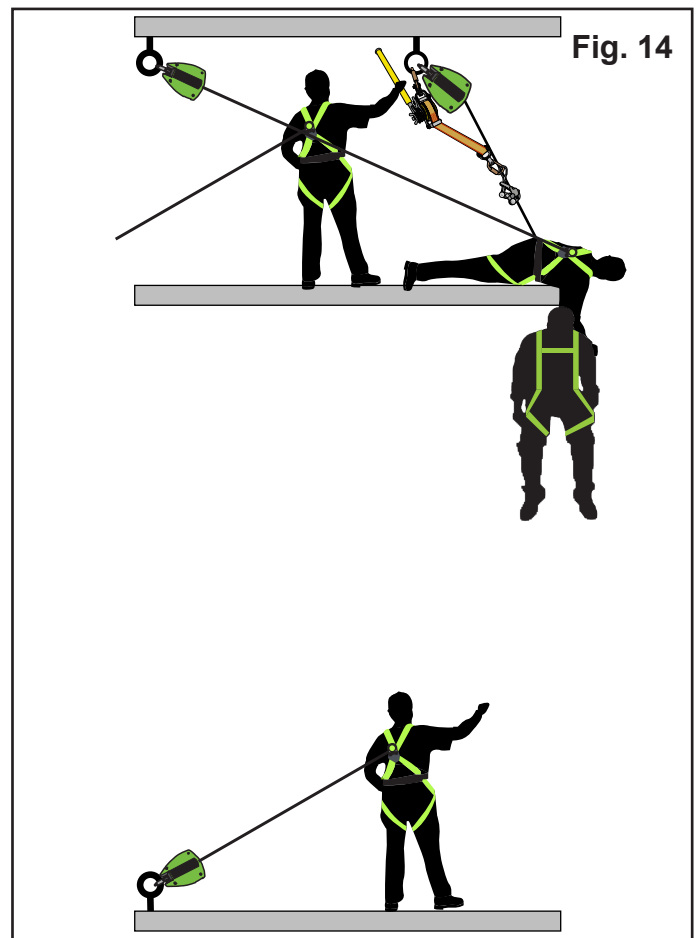
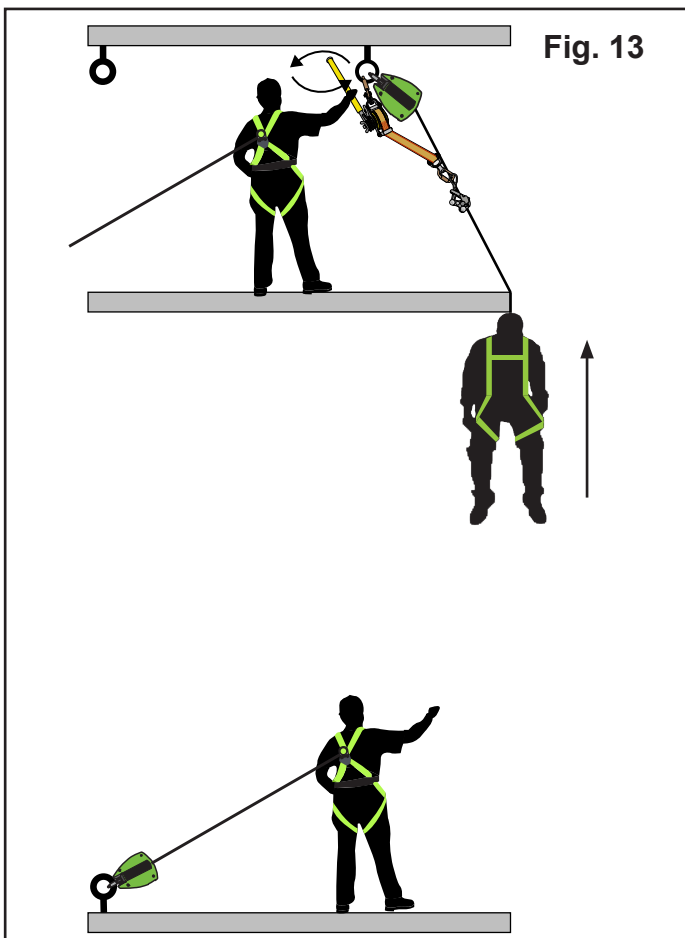
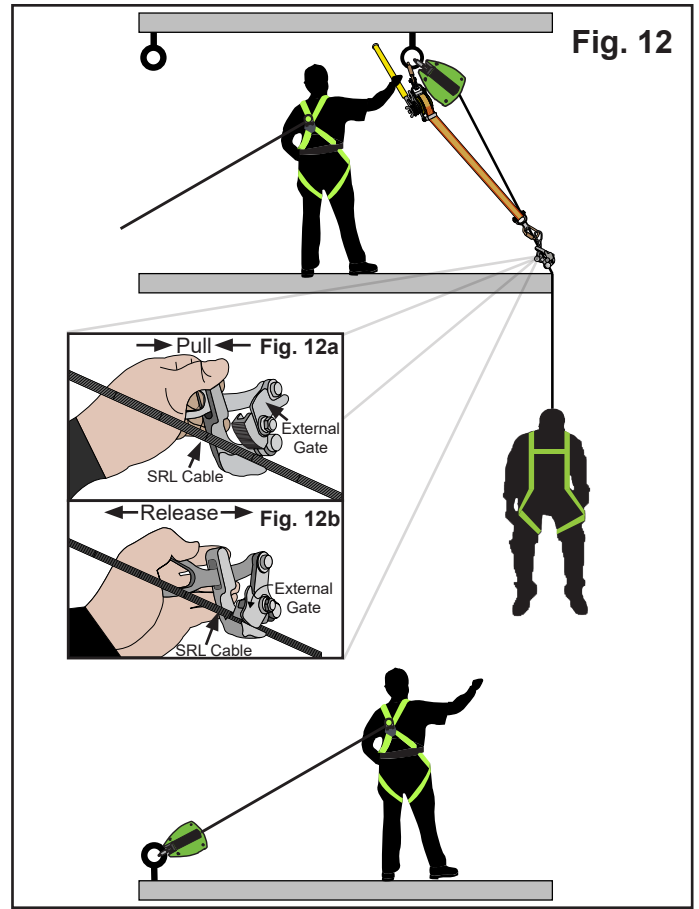
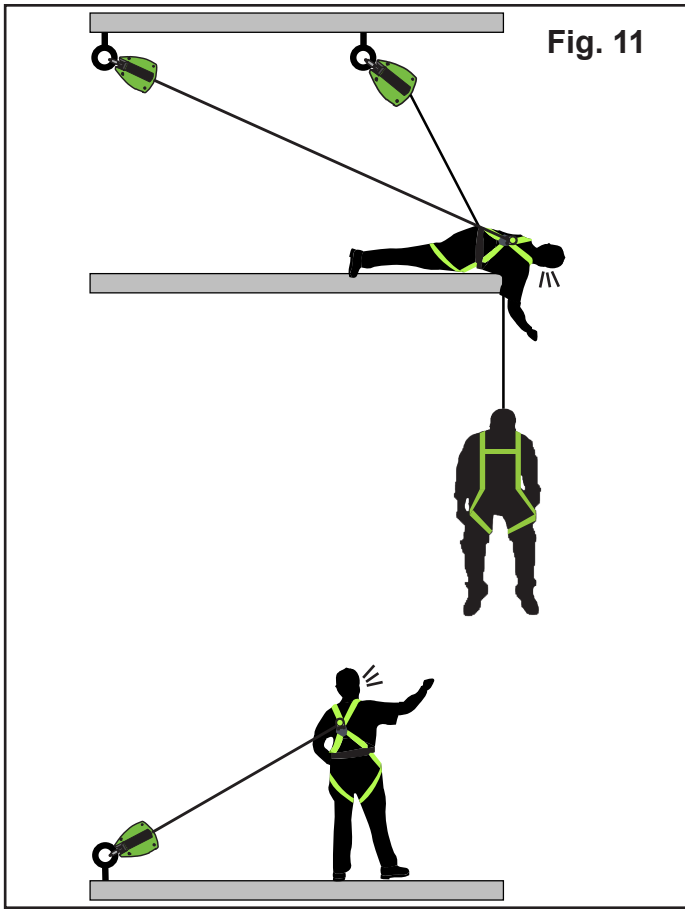
### **Working Length of System:**

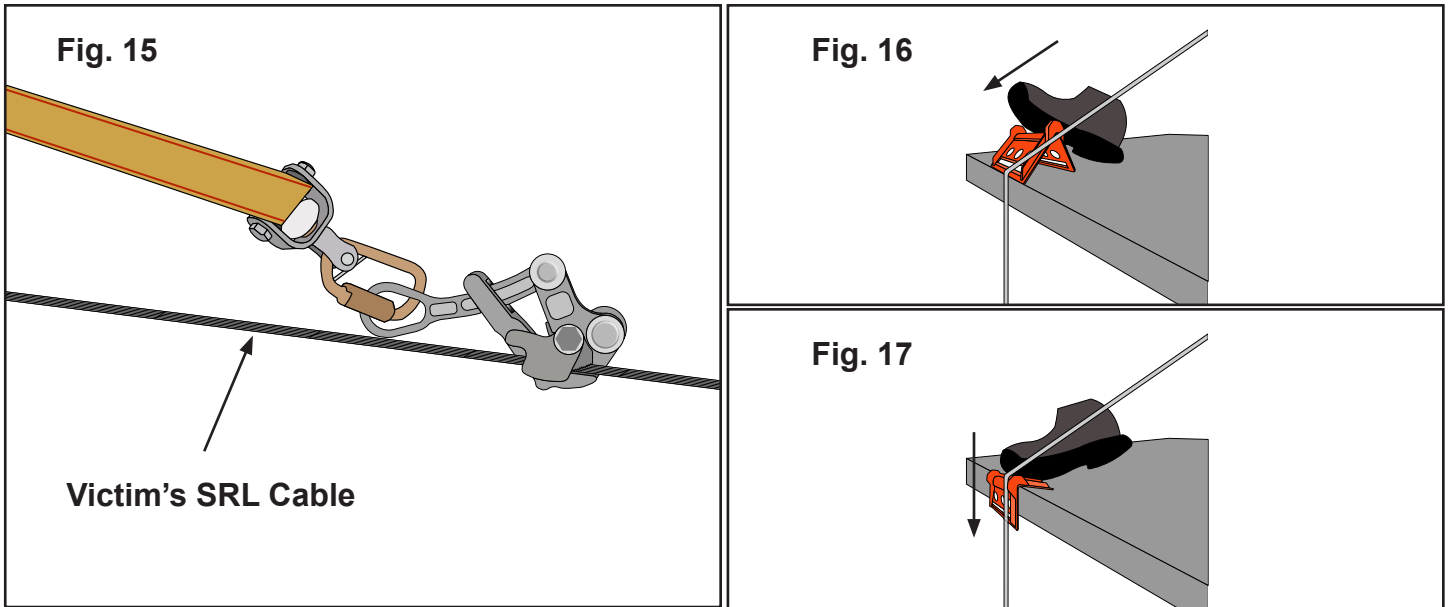
Conscious Victim with Rescue Sling: 20.75 ft. (6.32 m)

Unconscious Victim with Cable: 11 ft. (3.35 m) \*\* With Kernmantle Rope Assembly 20.75 ft. (6.32 m)



**WARNING: Whether rescuing a conscious or unconscious fallen individual, the user must NEVER remove or disengage the fallen workers fall protection equipment until rescue operations are complete!**





## Inspection

USER MUST KEEP INSTRUCTIONS AVAILABLE FOR REFERENCE. Record Date of First Use.

Prior to each use, inspect the 018-6000 for possible deficiencies including, but not limited to, corrosion, deformation, pits, burrs, rough surfaces, sharp edges, cracking, rust, paint buildup, excessive heating, alteration, and missing or illegible labels. User **MUST IMMEDIATELY** remove the 018-6000 from service if defective conditions are discovered during inspection.

Inspect work area to ensure that location is free of any damage including, but not limited to, debris, cracking, rot, decay, structural deterioration, rust, and free from any hazardous materials. User must confirm that work area to be utilized will support the application specific loads as referenced within this instruction manual. Work area **MUST** be stable.

At least annually, a Competent Person other than the user must inspect the 018-6000.

Competent Person inspections must be recorded in the inspection table included in this manual as well as the inspection table labels on each product individually. The Competent Person must place his/her initials in the block which corresponds with the month and year that the inspection is performed. All individual labels on equipment will be initialed in the same manner.

While conducting inspections, the Competent Person must consider all applications and hazards that the equipment may have been subjected to while in use.

Prior to each use, the user must inspect and verify that each individual component of the 018-6000 system is safe for use.

# Inspection Log

Date of First Use: \_\_\_\_\_

Product lifetime is indefinite as long as it passes pre-use and Competent Person inspections. User must inspect prior to each use. Competent Person other than the user must complete formal inspection at least annually. Competent person to inspect and initial table below:

Date	Inspection Items Noted	Corrective Action	Initials

**If equipment fails inspection  
IMMEDIATELY REMOVE FROM SERVICE**

## Safety Information



Failure to understand and comply with safety regulations may result in serious injury or death. Regulations included herein are not all-inclusive, are for reference only, and are not intended to replace a Competent Person's judgement or knowledge of federal or state standards.

Do not alter equipment. Do not misuse equipment.

Workplace conditions, including, but not limited to, flame, corrosive chemicals, electrical shock, sharp objects, machinery, abrasive substances, weather conditions, and uneven surfaces, must be assessed by a Competent Person before fall protection equipment is selected.

The inspection of the workplace must anticipate where workers will be performing their duties, the routes they will take to reach their work, and the potential and existing fall hazards they may be exposed to. Fall protection equipment must be chosen by a Competent Person. Selections must account for all potential hazardous workplace conditions. All fall protection equipment should be purchased in new and unused condition.

Harnesses and connectors selected must be compliant with manufacturer's instructions, and must be of compatible size and configuration. Snap hooks, carabiners, and other connectors must be selected and applied in a compatible fashion. All risk of disengagement must be eliminated. All snap hooks and carabiners must be self-locking and self-closing, and must never be connected to each other.

A pre-planned rescue procedure is required in the event a fall occurs. The rescue plan must be project-specific. The rescue plan must allow for employees to rescue themselves, or provide an alternative means for their prompt rescue. Store rescue equipment in an easily accessible and clearly marked area.

Training of Authorized Persons to correctly erect, inspect, disassemble, maintain, store, and use equipment must be provided by a Competent Person. Training must include the ability to recognize fall hazards, minimize the likelihood of fall hazards, and the correct use of personal fall arrest systems.

Age, fitness, and health conditions can seriously affect the worker should a fall occur. Consult a doctor if there is any reason to doubt a user's ability to withstand and safely absorb fall arrest forces or perform set-up of equipment. Pregnant women and minors must not use this equipment.

Physical harm may still occur even if fall safety equipment functions correctly. Sustained post-fall suspension may result in serious injury or death. Use trauma relief straps to reduce the effects of suspension trauma.

# Labels



**RESCUE ASSIST KIT**  
**MODEL #: 018-6000**

Kit includes:  
 Ratchet Assembly, Kernmantle Rope,  
 Rope Grab, Cable Grip,  
 Edge Protector, Rescue Sling,  
 (2) Carabiners, and Carry Bag

J	F	M	A	M	J	J	A	S	O	N	D

1 Person Rescue System with a total working weight: 310 lbs.

**MUST FOLLOW MANUFACTURER'S INSTRUCTIONS INCULDED WITH EQUIPMENT.**  
 Unit must be inspected prior to each use.  
**DO NOT REMOVE LABEL.**

**ATTENTION:**  
 Only make compatible connections. Avoid all physical hazards,  
 including, but not limited to: thermal, electrical and chemical sources.  
 Failure to follow all warnings or misuse of equipment could result  
 in serious injury or death.

**019002**

 **SAFEWAZE**  
 322 Industrial Court, Concord, NC 28025  
 (704) 262-7893 | www.safewaze.com



SAFEWAZE™  
322 Industrial Court  
Concord, NC 28025

PHONE: 1-704-262-7893  
FAX: 1-704-262-9051  
EMAIL: [info@safewaze.com](mailto:info@safewaze.com)

Web: [safewaze.com](http://safewaze.com)