



SAFEWAZE

019-4009

14" Vertical/Stationary Beam Anchor Instruction Manual



WARNING

This product is part of a personal fall arrest system, work positioning, suspension or rescue system. The manufacturer's instructions must be provided to users of this equipment. The user must follow the manufacturer's instructions for each component of the system. The user must read and understand these instructions before using this equipment. Manufacturer's instructions must be followed for proper use and maintenance of this equipment. Alterations to this product, misuse of this product, or failure to follow instructions may result in serious injury or death.

IMPORTANT

Questions regarding the use, care, or suitability of this equipment for your application? Contact SAFEWAZE™.

IMPORTANT

Record identification information before using this product. Identification information may be found on the equipment label. This information should be recorded in the "Inspection Log" located at the back of this manual

OSHA 1926 Subpart M, OSHA 1910, ANSI Z359.1, and ANSI A10.32
This manual is intended to meet the manufacturer's instructions as required by ANSI Z359 and should be used as part of an employee training program as required by OSHA.

User Information

Date of First Use: _____
Serial#: _____
Trainer: _____
User: _____

Do not throw away these instructions!

Read and understand these instructions before using equipment!

INTRODUCTION

Thank you for purchasing the Safewaze 019-4009 Beam Anchor anchor. This manual must be read and understood in its entirety, and used as part of an employee training program as required by OSHA or any applicable state agency. This manual and any other instructional material must be available to the user of the equipment. The user must understand how to safely and effectively use the 019-4009 Beam Anchor Anchor, and all fall protection equipment used in conjunction with the Beam Anchor.

APPLICABLE SAFETY STANDARDS

When used according to instructions, the 019-4009 Beam Anchor meets all applicable ANSI Z359.1 standards and OSHA regulations for fall protection. Applicable standards and regulations depend on the type of work being done, and may include state-specific regulations. Refer to local, state, and federal (OSHA) requirements for additional information concerning the governing of occupational safety regarding Personal Fall Arrest Systems (PFAS).

WORKER CLASSIFICATIONS

Understand the definitions of those who work in proximity of or may be exposed to fall hazards.

Qualified Person: "Qualified" means one who, by possession of a recognized degree, certificate, or professional standing, or who by extensive knowledge, training, and experience, has successfully demonstrated his ability to solve or resolve problems relating to the subject matter, the work, or the project.

Competent Person: "Competent person" means one who is capable of identifying existing and predictable hazards in the surroundings or working conditions which are unsanitary, hazardous, or dangerous to employees, and who has authorization to take prompt corrective measures to eliminate them.

Authorized Person: "Authorized person" means a person approved or assigned by the employer to perform a specific type of duty or duties or to be at a specific location or locations at the job site.

It is the responsibility of a Qualified or Competent person to supervise the job site and ensure safety regulations are complied with.

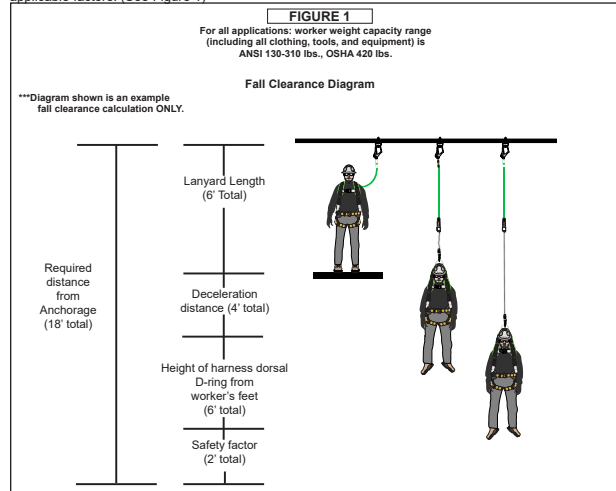
PRODUCT SPECIFIC APPLICATIONS

Purpose: The Safewaze 019-4009 Beam Anchor is designed to be used as part of a Personal Fall Arrest System (PFAS).

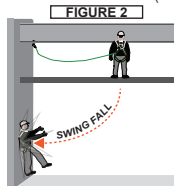
- A competent person shall train users on this equipment in accordance with OSHA and ANSI.
- Never exceed a free fall distance of 6 ft. A free fall of more than 6 ft could cause excessive arrest forces that could result in serious injury or death.
- The Safewaze 019-4009 Beam Anchor has a maximum capacity of ANSI 310 lbs including any tools, clothing, accessories, etc...., OSHA 420 lbs, unless otherwise rated by Safewaze.
- Structures for attachment of Safewaze 019-4009 Beam Anchor shall support a minimum 5,000 lbs or be designed with a safety factor of two by a Qualified Person.
- All Safewaze anchors must IMMEDIATELY be removed from service if subjected to fall arrest forces.
- Safewaze anchors shall be inspected by the end user prior to each usage and by a Competent Person other than the user every 6 months. These inspections shall be documented.

LIMITATIONS

Fall Clearance: There must be sufficient clearance below the anchorage connector to arrest a fall before the user strikes the ground or an obstruction. When calculating fall clearance, account for a MINIMUM 2' safety factor, deceleration distance, user height, length of lanyard/SRL, and all other applicable factors. (See Figure 1)



Swing Falls: Prior to installation or use, make considerations for eliminating or minimizing all swing fall hazards. Swing falls occur when the anchor is not directly above the location where a fall occurs. Always work as close to in line with the anchor point as possible. Swing falls significantly increase the likelihood of serious injury or death in the event of a fall. (See Figure 2)



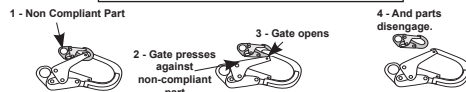
COMPATIBILITY OF CONNECTORS

Connectors are compatible with connecting elements when they have been designed to work together in such a way that their sizes and shapes do not cause their gate mechanisms to inadvertently open regardless of how they become oriented. Connectors (hooks, carabiners, and D-rings) must be capable of supporting at least 5,000 lbs. (22.2 kN). Connectors must be compatible with the anchorage or other system components (See Figure 4). **Do not use equipment that is not compatible.** Non-compatible connectors may unintentionally disengage (See Figure 3). Connectors must be compatible in size, shape, and strength. Self-locking snap hooks and carabiners are required by ANSI Z359 and OSHA guidelines. Contact Safewaze if you have any questions about compatibility.



NOTE: SOME SPECIALTY CONNECTORS HAVE ADDITIONAL REQUIREMENTS. CONTACT Safewaze WITH QUESTIONS.

FIGURE 3 - UNINTENTIONAL DISENGAGEMENT



Using a connector that is undersized or irregular in shape (1) to connect a snap hook or carabiner could allow the connector to force open the gate of the snap hook or carabiner. When force is applied, the gate of the hook or carabiner presses against the non-compliant part (2) and forces open the gate (3). This allows the snap hook or carabiner to disengage (4) from the connection point.

MAKING CONNECTIONS

Snap hooks and carabiners used with this equipment must be double locking and/or twist lock. Ensure all connections are compatible in size, shape and strength. Do not use equipment that is not compatible. Ensure all connectors are fully closed and locked.

Safewaze connectors (snap hooks and carabiners) are designed to be used only as specified in each product's user's instructions. See figure 4 for examples of inappropriate connections. Do not connect snap hooks and carabiners:

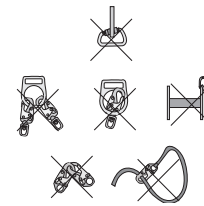
- To a D-ring to which another connector is attached.
- In a manner that would result in a load on the gate (with the exception of tie back hooks). NOTE: Large snap hooks must not be connected to objects which will result in a load on the gate if the hook twists or rotates. Snap hooks marked with ANSI Z359.12 and are equipped with a 3,600 lb (16 kN) gate. Check the marking on your snap hook to verify its compatibility.



NOTE: Large throat snap hooks must not be connected to standard size D-rings or similar objects which will result in a load on the gate if the hook or D-ring twists or rotates, unless the snap hook complies with ANSI Z359.1-2007 or ANSI Z359.12 and is equipped with a 3,600 lb (16 kN) gate. Check the marking on your snap hook to verify that it is appropriate for your application.

- In a false engagement, where features that protrude from the snap hook or carabiner catch on the anchor, and without visual confirmation seems to be fully engaged to the anchor point.
- To each other.
- By wrapping the web lifeline around an anchor and securing to lifeline except as allowed for Tie Back models.
- To any object which is shaped or sized in a way that the snap hook or carabiner will not close and lock, or that roll-out could occur.
- In a manner that does not allow the connector to align properly while under load.

FIGURE 4 - INAPPROPRIATE CONNECTIONS



SPECIFIC ANCHOR APPLICATIONS



Personal Fall Arrest: The 019-4009 Beam Anchor is designed as an anchor point to support a maximum of 1 Personal Fall Arrest System (PFAS) when utilized for fall protection applications. The structure to which the anchor is attached must withstand loads applied in the directions permitted by the system of at least 5,000 lbs. Maximum allowable free fall is 6'.

Restraint: The 019-4009 Beam Anchor is authorized for use in Restraint applications. The structure to which the anchor is attached must withstand loads applied in the directions permitted by the system of at least 1,000 lbs. NO free fall is permitted. Restraint systems may only be used on surfaces with slopes up to 4 / 12 (vertical / horizontal). For Restraint applications, the allowable attachment points to harness are Dorsal D-ring, Chest D-ring, Side D-rings, and Shoulder D-rings.

Work Positioning: The 019-4009 Beam Anchor is authorized for use in Work Positioning applications. Work Positioning allows a worker to be supported during suspension while freeing both hands to conduct work operations. The structure to which the Beam Anchor is attached must withstand loads applied in the directions permitted by the system of at least 3,000 lbs. Maximum allowable free fall is 2'. For positioning applications, the allowable attachment points to harness are the Side D-rings.

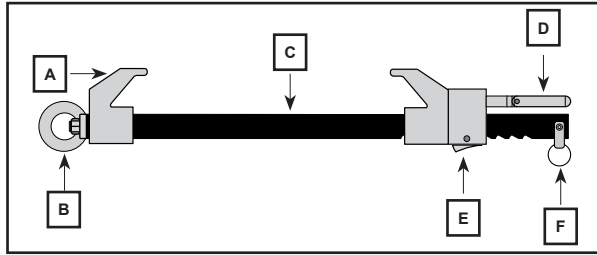
Rescue/Confined Space: The 019-4009 Beam Anchor is authorized for use in Rescue/Confined Space applications. Rescue systems are utilized to safely recover a worker from a confined location or after exposure to a fall. Composition of rescue systems can vary based upon the type of rescue involved. The structure to which a Beam Anchor is attached must withstand loads applied in the directions permitted by the system of at least 3,000 lbs. NO free fall is permitted. For rescue applications, the allowable attachment points to harness are Dorsal D-ring, Chest D-ring and Shoulder D-rings.



All above referenced applications have a worker weight capacity range of ANSI 130-310 lbs (including all clothing, tools, and equipment), OSHA 420 lbs.

019-4009 BEAM ANCHOR COMPONENTS

FIGURE 5 - BEAM ANCHOR COMPONENTS



019-4009 Beam Anchor Components	
A	Fixed Hook End
B	Steel Ring Assembly Attachment Point
C	Crossbar
D	Adjustment Handle
E	Width Adjustment Lever
F	Label Ring

INSTALLATION

1. Under guidance of a Competent Person, a suitable anchor point must be chosen that meets the strength requirement, minimizes free fall, and reduces swing fall hazards. Do not work above the anchorage point.

2. The 019-4009 Beam Anchor can be installed on any beam that meets the strength requirements as defined in the SPECIFIC ANCHOR APPLICATIONS section of this manual for Personal Fall Arrest.

3. The beam must be inspected prior to installation for any defect including, but not limited to, deformities, cracks, severe corrosion, excessive paint, welding spatter or slag, icing, loose beam fasteners, or any excessive debris or condition that would potentially impede the installation of the 019-4009 Beam Anchor.

4. The 019-4009 Beam Anchor is designed for use on I-Beams 3-1/2" to 14" wide with a maximum flange thickness of 1-3/4". Depress the spring loaded Width Adjustment Lever on the Adjustable Hook End and slide to the correct width so the Hook Ends clear the flange. Fit the Beam Anchor over the beam flange and slide the Adjustable Hook End towards the Fixed Hook End until the hooks are seated on the flange (See Figure 6A). Once the Hook Ends are seated on the flange, flip the Adjustment Handle to a vertical position (See Figure 6B). Rotate the Adjustment Handle clockwise to tighten the Beam Anchor onto the flange (See Figure 6C).

5. Connect the PFAS connector to the Beam Anchor and ensure proper Beam Anchor attachment and function by exerting a sharp tug. The 019-4009 Beam Anchor can be used in a Horizontal or Vertical orientation.

6. To uninstall the 019-4009, rotate the Adjustment Handle in a counter clockwise direction until the Beam Anchor loosens (See Figure 6D). Depress the spring loaded Width Adjustment lever and slide the Adjustable Hook End out until the Hook Ends can clear the flange.

7. The 019-4009 Beam Anchor is suitable for use with Horizontal Lifeline Systems so long as the beam to which the 019-4009 is attached, is capable of withstanding Fall Arrest Forces. Horizontal Lifeline can be installed in a parallel or perpendicular orientation to the 019-4009 (See Figure 7).

INSTALLATION EXAMPLE

FIGURE 6 - INSTALLATION

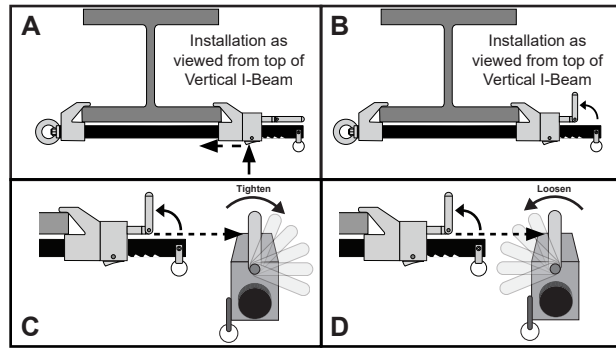
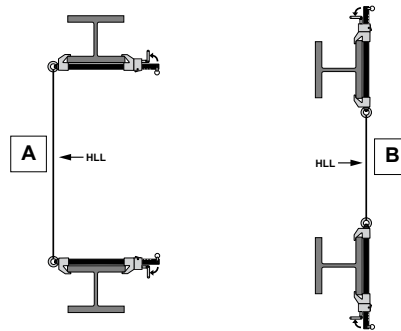


FIGURE 7 - HORIZONTAL LIFELINE USE



WARNING

- Users should consult with their doctor to verify ability to safely absorb the forces of a fall arrest event. Fitness level, age, and other health conditions can greatly affect an individual's ability to withstand fall arrest forces. Women who are pregnant, individuals considered minors must not use any Safewaze equipment.
- Never alter any part of a lanyard or add/remove components. Safewaze shall not be held responsible for injury or death due to tampering.
- Anchors that are exposed to fall arrest forces **MUST** be IMMEDIATELY removed from service and destroyed.
- Failure to follow these instructions and warnings could result in serious injury or death in the event of a fall.
- A preplanned rescue procedure in the event of a fall is required. The rescue plan must be specific to the project. The rescue plan must allow for employees to rescue themselves, or to be promptly rescued by alternative means.
- Harnesses or connectors selected for use with any Safewaze anchor must be compatible in size and configuration. User must ensure compatibility of snap hooks, carabiners and other connectors. Any connection which could allow disengagement must be eliminated. Snap hooks and carabiners must be self locking and self closing and must never be hooked to each other.
- A Competent Person must conduct an analysis of the workplace and anticipate where workers will be conducting their duties, the route they will take to reach their work, and the existing and potential fall hazards they may be exposed to. The Competent Person must choose the fall protection equipment to be utilized.
- Do not misuse equipment.
- Equipment designated for fall protection must never be used to lift, hang, support or hoist tools or equipment unless specifically certified for such use.

INSPECTION

• Safewaze Anchors shall be inspected by the user prior to each use and at least annually by a Competent Person. Annual Inspections must be documented. Severity of conditions during use may necessitate increased frequency of documented inspections.

• Anchors that fail inspection **MUST** be removed from service.

• Prior to each use, inspect the 019-4009 Beam Anchor for deficiencies or damage, including, but not limited to, sharp edges, rough edges, deformations, corrosion, pits, burrs, chemical exposure, extreme heat exposure, or missing or illegible labels. If any deficiencies or defects are found, the 019-4009 must IMMEDIATELY be removed from service.

• The 019-4009 Beam Anchor must be inspected at least every 6 months by a Competent Person other than the user. Competent person inspections must be recorded in the inspection log included in this manual and on the inspection grid label on the 019-4009.

WARRANTY

Safewaze warrants its products are free from defects in materials and construction under normal use and service. Liability is not accepted for abuse, modification, improper use, destructive activity and contaminated exposure.

MAINTENANCE & STORAGE

The 019-4009 Beam Anchor can be cleaned with water and mild soap if necessary. User should remove all dirt, possible corrosives, and contaminants from the anchor prior to, and after each use. Never use any type of corrosive substance to clean the 019-4009.

Excess water should be blown out with compressed air. Hardware can be wiped off with a clean, dry cloth.

When not in use, store the 019-4009 Beam Anchor in a cool dry area where it will not be exposed to extreme light, extreme heat, excessive moisture, or possibly corrosive chemicals or materials.

LABELS



INSPECTION LOG

Date	Inspection Items Noted	Corrective Action	Initials



SAFWEAZE

225 Wilshire Ave SW
Concord, NC 28025

PHONE: 800-230-0319
FAX: 704-262-9051
EMAIL: info@safewaze.com
Web: safewaze.com



019-4009

Manual de instrucciones de ancla de viga vertical estacionaria de 14 plg.



ADVERTENCIA

Este producto forma parte de un sistema personal de parada de caídas, posicionamiento de trabajo, suspensión o rescate. Las instrucciones del fabricante se le deben entregar al usuario de este equipo. El usuario debe seguir las instrucciones del fabricante de cada componente del sistema. Antes de usar este equipo, el usuario debe leer y entender estas instrucciones. El usuario debe seguir las instrucciones del fabricante para usar y mantener correctamente este equipo. Alterar o usar incorrectamente este producto, o no seguir las instrucciones, puede causar lesiones graves o muerte.

IMPORTANTE

Si tiene dudas sobre el uso, cuidado o idoneidad de este equipo para sus propósitos, comuníquese con SafeWaze.

IMPORTANTE

Registre los datos de identificación antes de usar este producto. Los datos de identificación se encuentran en la etiqueta del equipo. Estos datos deben anotarse en el registro de inspecciones al final de este manual.

OSHA 1926, Subparte M; OSHA 1910; ANSI Z359.1 y ANSI A10.32

El objetivo de este manual es presentar las instrucciones del fabricante conforme a la norma ANSI Z359.

Este manual debe formar parte de un programa de capacitación de usuarios conforme a la Ley de Salud y Seguridad Ocupacional (Occupational Safety and Health Act, OSHA).

Datos del usuario

Fecha de la primera vez que usó el equipo: _____

Nro. de serie: _____

Capacitador: _____

Usuario: _____

¡No deseches estas instrucciones!

Antes de usar este equipo, el usuario debe leer y entender estas instrucciones.

INTRODUCCIÓN

Gracias por comprar el ancla de viga 019-4009 de SafeWaze. El usuario debe leer y entender todo este manual, que debe formar parte de un programa de capacitación del usuario según lo requerido por la OSHA o las agencias estatales correspondientes. Este manual y todo otro material de enseñanza deben estar siempre a disposición del usuario del equipo. El usuario debe entender cómo usar segura y efectivamente el ancla de viga 019-4009 y todo el equipo de protección contra caídas que se use con el ancla.

NORMAS DE SEGURIDAD APLICABLES

Cuando se usa conforme a las instrucciones, el ancla de viga 019-4009 cumple con la norma ANSI Z359.1 y los reglamentos de la OSHA aplicables relacionados con la protección contra caídas. Las normas y los reglamentos aplicables dependen del tipo de trabajo y pueden incluir reglamentos estatales específicos. Consulte los requisitos locales, estatales y federales (OSHA) para ver más información sobre los reglamentos de seguridad ocupacional que rigen los sistemas personales de parada de caídas.

DENOMINACIONES DE USUARIOS

Entienda las denominaciones de las personas que se exponen a caídas o trabajan cerca de estructuras que implican riesgo de caída.

Persona calificada: Persona que por título, certificado o prestigio profesional reconocido, o por amplio conocimiento, capacitación y experiencia, ha demostrado su capacidad de resolver problemas relacionados con el tema, el trabajo o el proyecto.

Persona competente: Persona capaz de detectar peligros ambientales presentes y predecibles o condiciones de trabajo insalubres o peligrosas para los empleados. Esta persona está autorizada para tomar medidas correctivas inmediatas a fin de eliminar tales peligros y condiciones.

Persona autorizada: Persona aprobada o nombrada por el empleador para hacer tareas específicas o estar presente en lugares específicos de la obra.

Las personas calificadas o competentes son responsables de supervisar el lugar de trabajo y garantizar que se cumplan las normas de seguridad.

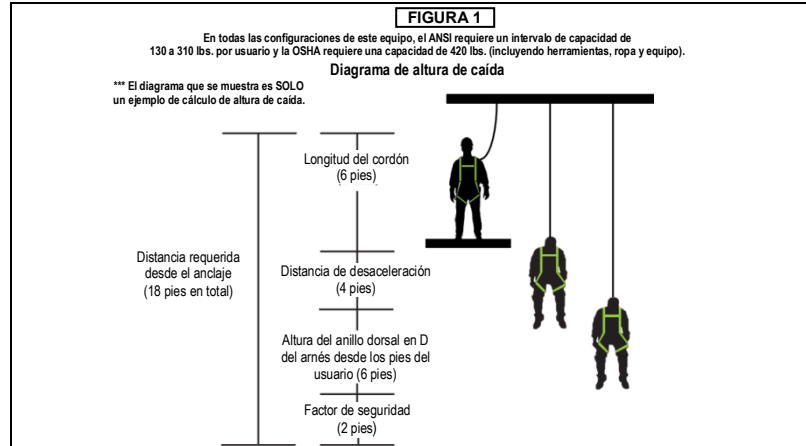
CONFIGURACIONES ESPECÍFICAS DEL PRODUCTO

Propósito: El ancla de viga 019-4009 de SafeWaze forma parte de un Sistema Personal de Parada de Caídas (Personal Fall Arrest System, PFAS).

- Una persona competente debe capacitar a los usuarios de este equipo conforme a las normas de la OSHA y el ANSI.
- No exceda nunca 6 pies de caída libre. Las caídas libres de más de 6 pies ejercen fuerzas de parada excesivas que pueden causar lesiones graves o muerte.
- El ancla de viga 019-4009 de SafeWaze satisface el requisito de capacidad máxima de 310 lbs. del ANSI y 430 lbs. de la OSHA, incluyendo herramientas, ropa, accesorios, etc., a menos que SafeWaze determine otra cosa.
- Las estructuras a las cuales se fije el ancla de viga 019-4009 de SafeWaze deben soportar un mínimo de 5,000 lbs. o haber sido diseñadas con un factor de seguridad de dos por una persona calificada.
- Todas las anclas de SafeWaze deben ponerse fuera de servicio INMEDIATAMENTE si se someten a fuerzas de parada de caída.
- Las anclas de SafeWaze deben ser inspeccionadas por el usuario final cada vez que las va a usar y por una persona competente que no sea el usuario cada 6 meses. Estas inspecciones se deben documentar.

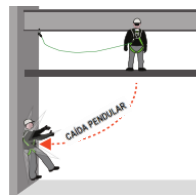
LIMITACIONES

Altura de caída: Debe haber suficiente espacio debajo del conector de anclaje para parar una caída antes de que el usuario llegue al suelo o se golpee contra una obstrucción. Cuando calcule la altura de caída, considere la distancia de desaceleración, la estatura del usuario, la longitud del cordón o la SRL, un factor de seguridad de 2 pies como MÍNIMO, y todo otro factor aplicable (Figura 1).



Caídas pendulares: Antes de instalar o usar el sistema, elimine o minimice los riesgos de caídas pendulares, que se producen cuando el punto de anclaje no está directamente encima del punto de caída. Trabaje siempre lo más cerca posible del punto de anclaje. Las caídas pendulares aumentan significativamente la probabilidad de lesiones graves o muerte en caso de caída (Figura 2).

FIGURA 2



COMPATIBILIDAD DE CONECTORES

Los conectores son compatibles con los elementos que se les conectan cuando han sido diseñados para funcionar juntos de manera que su tamaño y su forma no causen la apertura imprevista de los mecanismos de los cierres, independientemente de su orientación. Los conectores (ganchos, mosquetones y anillos en D) deben tener al menos 5,000 lbs. (22.2 kN) de capacidad. Los conectores deben ser compatibles con el anclaje y los otros componentes del sistema (Figura 4). **No use equipo incompatible.** Los conectores incompatibles pueden desengancharse de improviso (Figura 3). Los conectores deben ser compatibles en cuanto a tamaño, forma y capacidad. La norma ANSI Z359 y las directrices de la OSHA exigen ganchos de presión y mosquetones de bloqueo automático. Comuníquese con SafeWaze si tiene preguntas sobre compatibilidad.



NOTA: ALGUNOS CONECTORES ESPECIALIZADOS TIENEN REQUISITOS ADICIONALES. COMUNÍQUESE CON SAFEWAZE SI TIENE PREGUNTAS.

FIGURA 3 - DESENGANCHE NO INTENCIONAL

1- Pieza incompatible



2- El cierre presiona la pieza incompatible.



3- El cierre se abre.

4- Las piezas se desenganchan.



Conectar un conector demasiado pequeño o de forma irregular (1) a un mosquetón o un gancho de presión puede permitir que el conector abra el cierre del mosquetón o gancho de presión. Cuando se ejerce fuerza, el cierre del mosquetón o del gancho presiona la pieza incompatible (2) y se abre (3). Esto permite que el mosquetón o gancho de presión se desenganche (4).

FORMACIÓN DE CONEXIONES

Los mosquetones y ganchos de presión de este equipo deben tener cierre de bloqueo doble y/o cierre giratorio. Todas las conexiones deben ser compatibles en cuanto a tamaño, forma y capacidad. No use equipo incompatible. Todos los conectores deben estar completamente cerrados y bloqueados.

Los conectores de SafeWaze (mosquetones y ganchos de presión) deben usarse solo como se especifica en las instrucciones de cada producto. En la Figura 4 hay ejemplos de conexiones incorrectas. No conecte mosquetones o ganchos de presión...

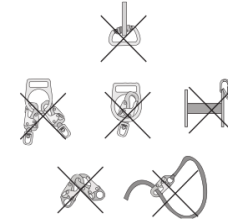
- A un anillo en D al cual ya esté conectado otro conector.
- De una manera que ejerza fuerza sobre el cierre (excepto en caso de ganchos de sujeción) NOTA: No se deben conectar ganchos de presión grandes a objetos que se apoyarían en el cierre si el gancho se torciera o girara, a menos que el gancho de presión cumpla con la norma ANSI Z359.12 y tenga un cierre de 3,600 lbs. (16 kN) de capacidad. Vea el marcado del gancho de presión para verificar su compatibilidad.



NOTA: Los ganchos de presión de gran apertura no se deben conectar a anillos en D de tamaño estándar u objetos similares que se apoyarían en el cierre si el gancho o el anillo en D se torciera o girara, a menos que el gancho de presión cumpla con la norma ANSI Z359.1-2007 o ANSI Z359.12 y tenga un cierre de 3,600 lbs. (16 kN) de capacidad. Vea el marcado del gancho de presión para verificar su compatibilidad.

- Con enganche falso, que se produce cuando las partes sobresalientes del mosquetón o gancho de presión se enganchan en el ancla y, sin confirmación visual, dan la impresión de que el mosquetón o gancho de presión está bien enganchado en el anclaje
- Uno a otro
- Pasando la línea salvavidas de correa tejida alrededor del anclaje y fijándola a la misma línea salvavidas, excepto según lo permitido en los modelos de sujeción
- A objetos cuya forma o tamaño pueda causar una desconexión o impedir que el mosquetón o gancho de presión se cierre y se bloquee
- De una manera que impida la alineación correcta del conector cargado.

FIGURA 4 - CONEXIONES INCORRECTAS



CONFIGURACIONES ESPECÍFICAS DEL ANCLA



Parada de caída personal: El ancla de viga 019-4009 es un dispositivo de anclaje que soporta un máximo de un (1) Sistema Personal de Parada de Caídas (Personal Fall Arrest System, PFAS) en configuraciones de protección contra caídas. La estructura a la cual se fije el ancla de viga debe soportar cargas de al menos 5,000 lbs. aplicadas en las direcciones permitidas por el sistema. La caída libre máxima permitida es de 6 pies.



Restricción: El ancla de viga 019-4009 se puede usar en configuraciones de restricción. La estructura a la cual se fije el ancla de viga debe soportar cargas de al menos 1,000 lbs. aplicadas en las direcciones permitidas por el sistema. NO se permite la caída libre. Los sistemas de restricción se pueden usar solo en superficies con pendientes de hasta 4 / 12 (vertical / horizontal). En configuraciones de restricción, los puntos de fijación permitidos del arnés son el anillo dorsal en D, el anillo pectoral en D, los anillos laterales en D y los anillos en D de los hombros.



Posicionamiento de trabajo: El ancla de viga 019-4009 se puede usar en configuraciones de posicionamiento de trabajo, en las cuales el usuario es sostenido para que pueda trabajar con las dos manos. La estructura a la cual se fije el ancla de viga debe soportar cargas de al menos 3,000 lbs. aplicadas en las direcciones permitidas por el sistema. La caída libre máxima permitida es de 2 pies. En configuraciones de posicionamiento, los puntos de fijación permitidos del arnés son los anillos laterales en D.

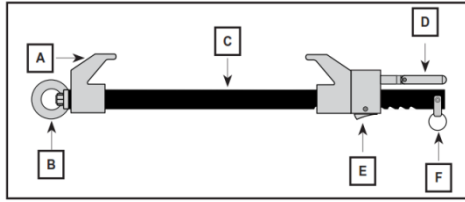


Rescate y espacio reducido: El ancla de viga 019-4009 se puede usar en configuraciones de rescate y espacio reducido. Los sistemas de rescate permiten recuperar con seguridad a un usuario atrapado en un espacio reducido o suspendido en el aire después de una caída. La composición del sistema de rescate depende del tipo de rescate. La estructura a la cual se fije el ancla de viga debe soportar cargas de al menos 3,000 lbs. aplicadas en las direcciones permitidas por el sistema. NO se permite la caída libre. En configuraciones de rescate, los puntos de fijación permitidos del arnés son el anillo dorsal en D, el anillo pectoral en D y los anillos en D de los hombros.

En todas estas configuraciones, el ANSI requiere un intervalo de capacidad de 130 a 310 lbs. por usuario y la OSHA requiere una capacidad de 420 lbs. (incluyendo herramientas, ropa y equipo).

COMPONENTES DEL ANCLA DE VIGA 019-4009

FIGURA 5 - COMPONENTES DEL ANCLA DE VIGA



Componentes del ancla de viga 019-4009	
A	Gancho fijo
B	Anillo de acero: punto de fijación del ancla
C	Barra transversal
D	Manija de ajuste
E	Palanca de ajuste de ancho
F	Anillo de etiqueta

INSTALACIÓN

- Con la asesoría de una persona competente o calificada, establezca un anclaje apropiado que cumpla con los requisitos de resistencia, minimice la caída libre y reduzca el riesgo de caída pendular. No trabaje más arriba del punto de anclaje.
- El ancla de viga 019-4009 se puede instalar en cualquier viga que cumpla con los requisitos de resistencia definidos en la sección CONFIGURACIONES ESPECÍFICAS DEL ANCLA de este manual de parada de caída personal.
- Antes de instalar el ancla, la viga se debe inspeccionar para detectar los defectos que pueda tener, tales como, entre otros, deformaciones, grietas, exceso de corrosión, exceso de pintura, salpicaduras de soldadura o escoria, hielo, fijadores de viga sueltos, exceso de residuos, o condiciones que puedan impedir la instalación.
- El ancla de viga 019-4009 es para vigas en I con bridas de 3-1/2 a 14 plg. de ancho y 1-3/4 plg. de grosor máximo. Presione la palanca de ajuste de ancho con resorte del gancho ajustable y deslícelo hasta que pueda pasar alrededor de la brida. Ponga el ancla de viga sobre la brida y deslice el gancho ajustable hacia el gancho fijo hasta que los dos ganchos se asienten sobre la brida (Figura 6A). Una vez que los ganchos estén asentados sobre la brida, pase la manija de ajuste a la posición vertical (Figura 6B). Luego, gírela en sentido horario para apretar el ancla de viga en la brida (Figura 6C).
- Enganche el conector del PFAS al ancla de viga y compruebe que el ancla de viga esté firme y funcione bien dándole un tirón fuerte. El ancla de viga 019-4009 se puede usar horizontal o verticalmente.
- Para desmontar la 019-4009, gire la manija de ajuste en sentido antihorario hasta que el ancla de viga se afloje (Figura 6D). Presione la palanca de ajuste de ancho con resorte y deslice el gancho ajustable hacia afuera hasta que los ganchos puedan pasar alrededor de la brida.
- La 019-4009 se puede usar con sistemas de línea salvavidas horizontal, siempre y cuando la viga en la cual esté montada pueda resistir fuerzas de parada de caídas. La línea salvavidas horizontal se puede instalar paralela o perpendicularmente a la 019-4006 (Figura 7).

EJEMPLO DE INSTALACIÓN

FIGURA 6 - INSTALACIÓN

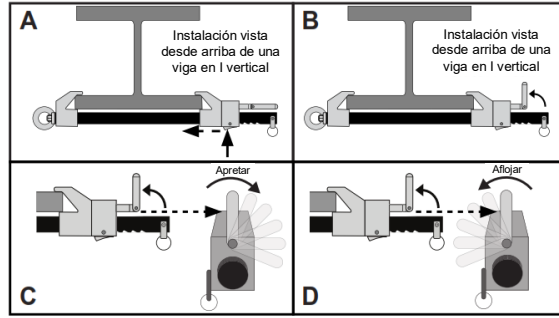
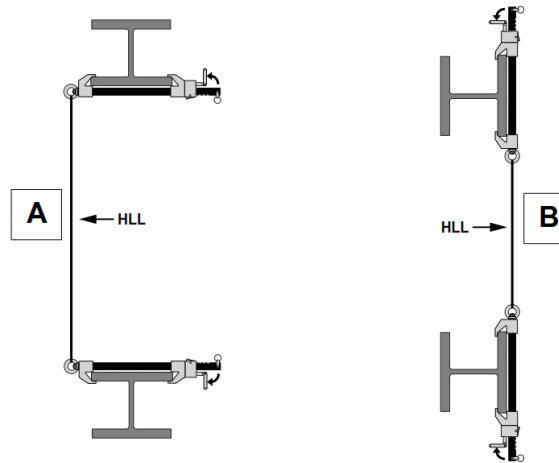


FIGURA 7 - USO CON LÍNEA SALVAVIDAS HORIZONTAL



ADVERTENCIA

- El usuario debe consultar al médico para verificar su capacidad de absorber con seguridad el impacto de una parada de caída. La edad, el estado físico y otras condiciones de salud afectan seriamente la capacidad de soportar fuerzas de caída. Ni los menores de edad ni las mujeres embarazadas deben usar ningún equipo de SafeWaze.
- Nunca altere ninguna parte de un ancla ni agregue ni quite componentes. SafeWaze no se responsabiliza por lesiones o muerte causadas por alteraciones o cambios del equipo.
- Las anclas expuestas a fuerzas de parada de caída DEBEN ponerse fuera de servicio INMEDIATAMENTE y deben ser destruidas.
- No respetar estas instrucciones y advertencias puede causar lesiones graves o muerte en caso de caída.
- Se requiere un plan de rescate de caída establecido de antemano. El plan de rescate debe corresponder al proyecto. El plan de rescate debe permitir que el usuario se rescate a sí mismo o que sea rescatado rápidamente por otros medios.
- Los arneses o conectores que se van a usar con el ancla de SafeWaze deben ser compatibles en cuanto a tamaño y configuración. El usuario debe asegurarse de la compatibilidad de los mosquetones, ganchos de presión y otros conectores. Toda conexión que permita desconexión debe ser eliminada. Los mosquetones y ganchos de presión deben ser de bloqueo y cierre automático y no deben engancharse nunca entre sí.
- Una persona competente debe analizar el área de trabajo y anticipar los lugares en que los usuarios llevarán a cabo sus tareas, la ruta que seguirán para llegar a su lugar de trabajo y los riesgos de caída presentes y posibles a los que se pueden exponer. La persona competente debe escoger el equipo de protección contra caídas que se utilizará.
- No use mal el equipo.
- El equipo destinado a protección contra caídas no debe usarse nunca para levantar, colgar, soportar o izar herramientas o equipo, a menos que haya sido específicamente certificado para eso.

INSPECCIÓN

- Las anclas de SafeWaze deben ser inspeccionadas por el usuario final cada vez que las va a usar y por una persona competente al menos cada 12 meses. Las inspecciones anuales se deben documentar. La intensidad de las condiciones de uso puede requerir una mayor frecuencia de inspecciones documentadas.
- Las anclas que no pasen la inspección se DEBEN poner fuera de servicio.
- Cada vez que vaya a usar el ancla de viga 019-4009, inspecciónela para ver si tiene deficiencias o daños tales como, entre otros, bordes afilados, bordes ásperos, deformaciones, corrosión, picaduras, rebabas, señales de exposición a productos químicos o calores extremos, o etiquetas perdidas o ilegibles. Si se encuentran deficiencias o defectos, la 019-4009 debe ponerse INMEDIATAMENTE fuera de servicio.
- Una persona competente que no sea el usuario debe inspeccionar el ancla de viga 019-4009 al menos una vez cada 6 meses. Las inspecciones llevadas a cabo por la persona competente se deben anotar en el registro de inspecciones de este manual y en la cuadrícula de la etiqueta de inspección de la 019-4009.

GARANTÍA

SafeWaze garantiza que sus productos carecen de defectos de materiales o mano de obra y que funcionan correctamente en condiciones normales de uso y servicio. SafeWaze no acepta responsabilidad por abuso, modificación, uso indebido, actividad destructiva o contaminación.

MANTENIMIENTO Y ALMACENAMIENTO

El ancla de viga 019-4009 se puede lavar con agua y jabón suave si es necesario. El usuario debe quitarle la suciedad, los contaminantes y las sustancias posiblemente corrosivas cada vez antes y después de usarla. No limpie nunca la 019-4009 con ningún tipo de sustancia corrosiva.

El exceso de agua se debe retirar con aire comprimido. Los herrajes se pueden limpiar con un paño limpio y seco.

Cuando no la esté usando, guarde el ancla de viga 019-4009 en un lugar fresco y seco donde no quede expuesta a cantidades extremas de luz, calor o humedad, o a materiales o productos químicos posiblemente corrosivos.

ETIQUETAS

SAFEWAZE
800-230-0319

Pieza No. 019-4009
Ancla de viga para sistemas de línea salvavidas vertical de 14 plg.
Resistencia mínima a la tracción: 5000 lbs.
Materiales: aluminio
Capacidad: ANSI 150 a 310 lbs., OSHA: 420 lbs.
Induyendo ropa, herramientas, etc.
OSHA 1926.502 y ANSI Z359.1

Fecha de fabricación: XXXX
No. de serie: XXXXXX

ADVERTENCIA ESTE EQUIPO ES UN DISPOSITIVO DE ANCLAJE DE PROTECCIÓN CONTRA CAÍDAS. EL USUARIO DEBE LEER Y SEGUIR LAS INSTRUCCIONES QUE SE ADJUNTARON AL PRODUCTO AL MOMENTO DE ENVIARLO. NO RESPECTAR ESTAS INSTRUCCIONES PUEDE CAUSAR LESIONES GRAVES O MUERTE. EVITE LA EXPOSICIÓN A FACTORES PELIGROSOS TALES COMO: ENTRE OTROS, CALOR, PRODUCTOS QUÍMICOS, ELECTRICIDAD, BORDES AFILADOS O ÁSPEROS, SUPERFICIES ABRASIVAS, ETC. HAGA CONEXIONES COMPATIBLES SOLAMENTE. CONSULTE LAS INSTRUCCIONES PARA VER MÉTODOS APROPIADOS DE INSTALACIÓN Y CONEXIÓN.

EL USUARIO DEBE INSPECCIONAR LA UNIDAD CADA VEZ QUE LA VAYA A USAR. UNA PERSONA COMPETENTE DEBE INSPECCIONAR ESTA UNIDAD CADA 6 MESES Y PERFORAR LA CASILLA CORRESPONDIENTE AL MES Y AL AÑO EN LA CUADRÍCULA DE INSPECCIÓN.

E	F	M	A	M	J	J	A	S	O	N	D

SI LA UNIDAD NO PASA LA INSPECCIÓN
PONGALA FUERA DE SERVICIO

REGISTRO DE INSPECCIONES

Fecha	Piezas anotadas	Medidas correctivas	Iniciales

SAFEWAZE
SafeWaze
225 Wilshire Ave SW
Concord, NC 28025

TELÉFONO: 800-230-0319
FAX: 704-262-9051
CORREO ELECTRÓNICO: info@safewaze.com
Web: safewaze.com